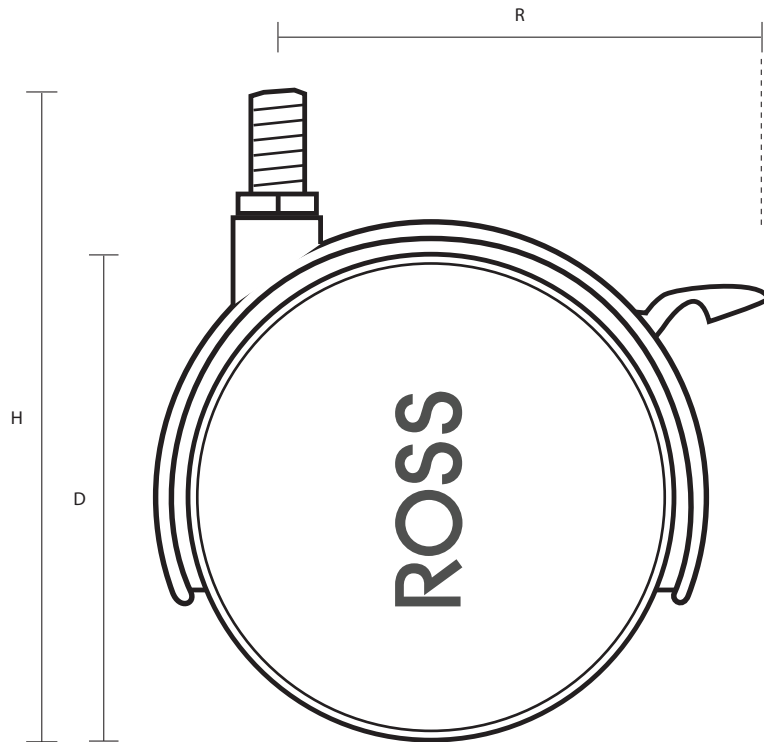
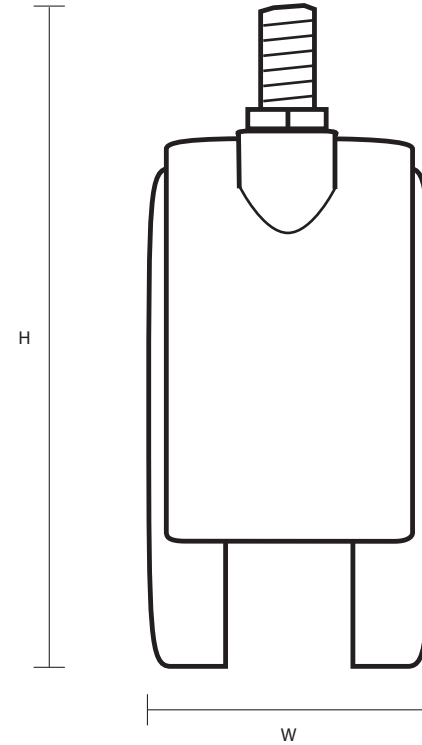
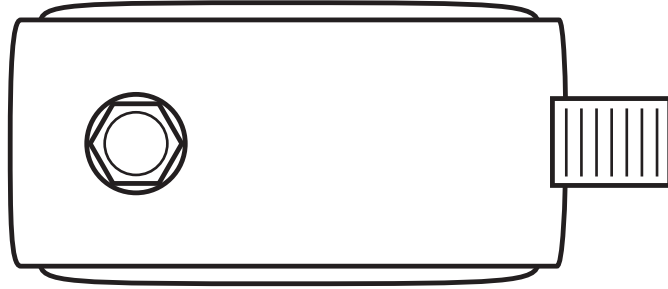


TW5001M8X15/B (50mm Twin Wheel Braked Castor With M8x15mm Thread)



Castor Dimensions - Key		
D	Wheel Diameter	50mm
L	Plate Dimension Length (mm)	N/A
L1	Plate Dimension Width (mm)	N/A
C	Plate Hole Centers length (mm)	N/A
C1	Plate Hole Centers width (mm)	N/A
D1	Plate Hole Diameter (mm)	N/A
H	Total Castor Height	64mm
W	Tread Width (mm)	N/A
	Threaded Stem Size	M8x15mm