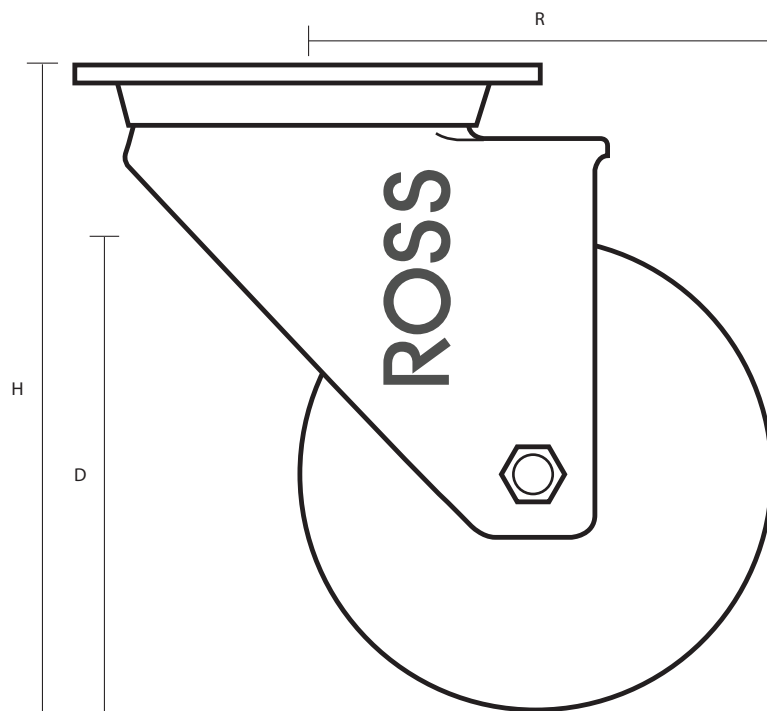
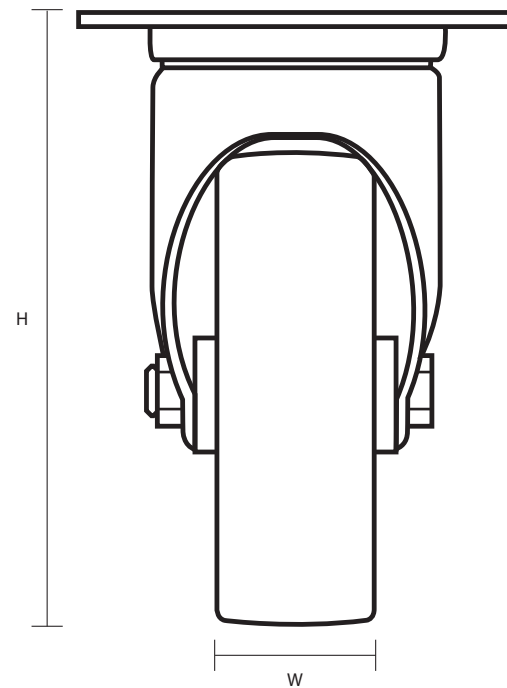
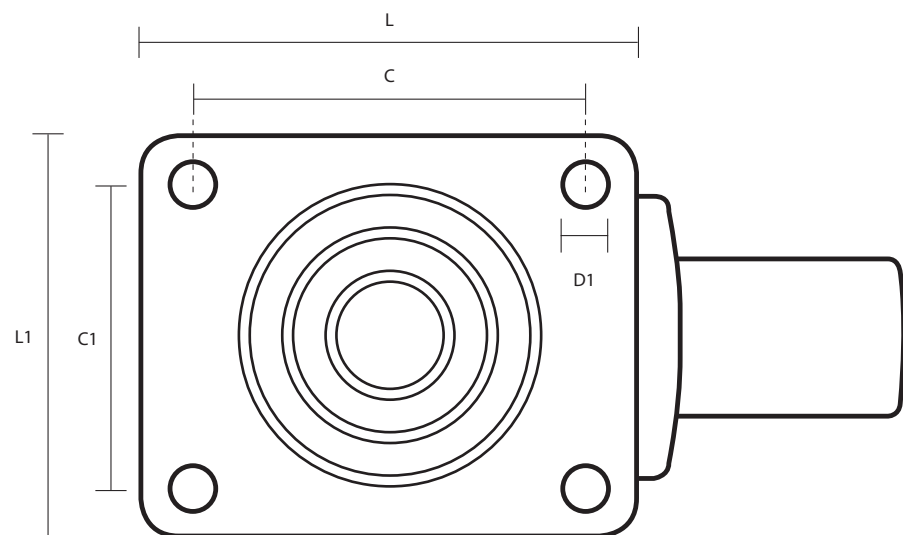


SSL-100-ASR (100mm Stainless Steel Swivel Castor Anti-Static Wheel)



Castor Dimensions - Key

| | | |
|----|--------------------------------|-------|
| D | Wheel Diameter | 100mm |
| L | Plate Dimension Length (mm) | 90mm |
| L1 | Plate Dimension Width (mm) | 70mm |
| C | Plate Hole Centres length (mm) | 70mm |
| C1 | Plate Hole Centres width (mm) | 50mm |
| D1 | Plate Hole Diameter (mm) | 8mm |
| H | Total Castor Height (mm) | 134mm |
| W | Tread Width (mm) | 30mm |
| R | Swivel Radius (mm) | 92mm |
| | | |