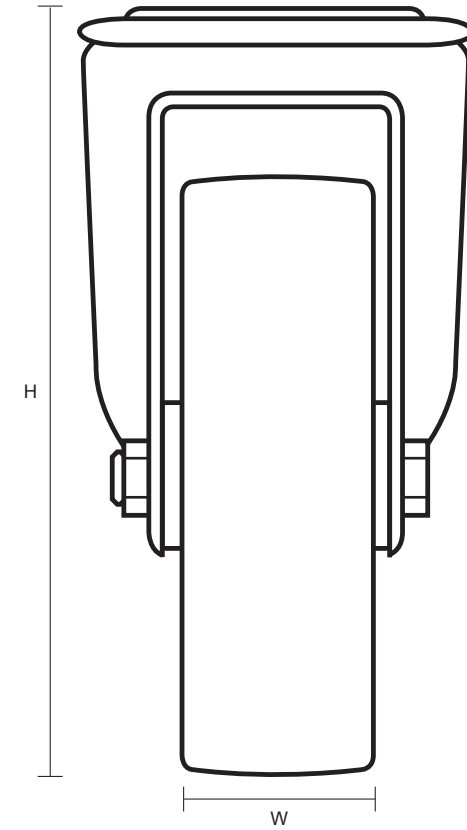
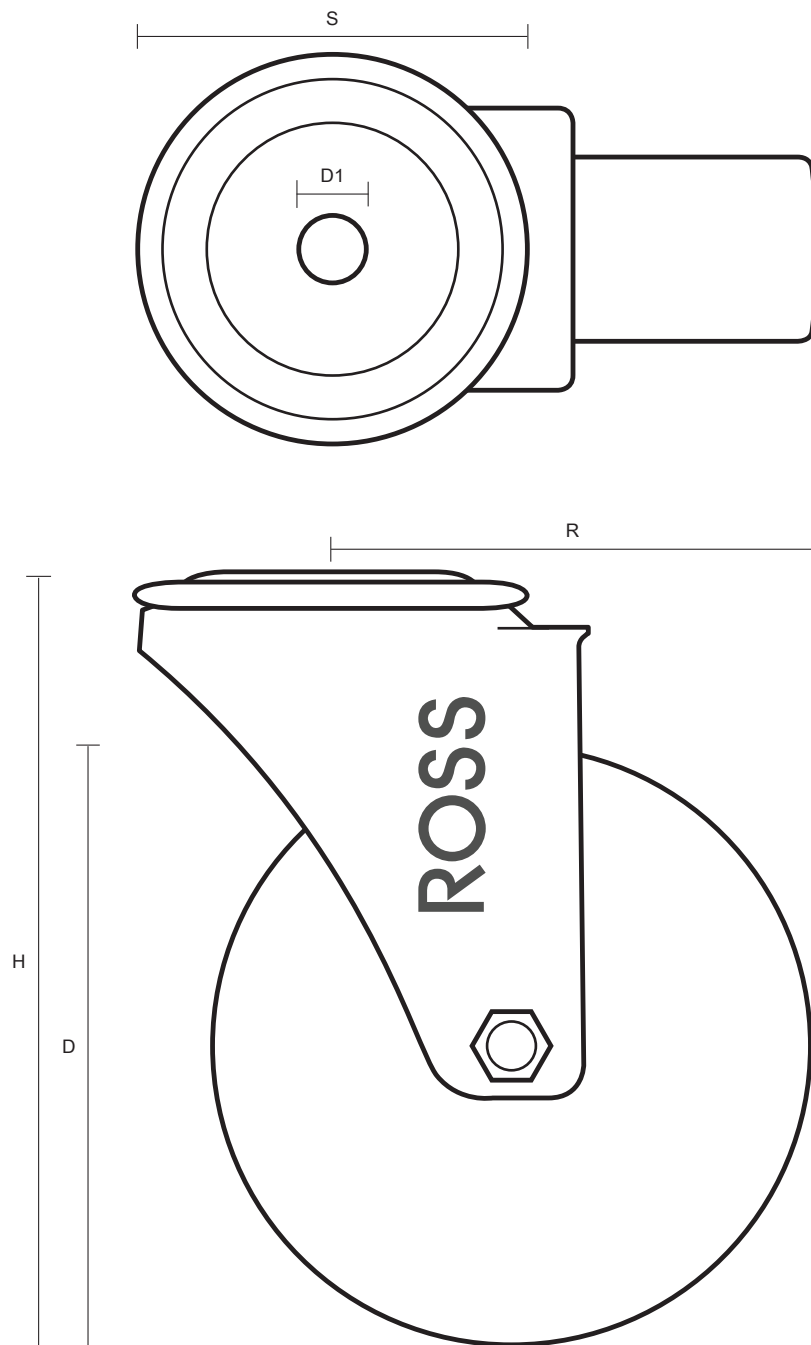


SS-125-PNB/BH12 (125mm Swivel Castor Polyurethane Tyred wheel)



Castor Dimensions - Key

| | | |
|----|--------------------------------|-------|
| D | Wheel Diameter | 125mm |
| L | Plate Dimension Length (mm) | N/A |
| L1 | Plate Dimension Width (mm) | N/A |
| C | Plate Hole Centers length (mm) | N/A |
| C1 | Plate Hole Centers width (mm) | N/A |
| D1 | Plate Hole Diameter (mm) | 12mm |
| H | Total Castor Height | 155mm |
| W | Tread Width (mm) | 30mm |
| R | Swivel Radius (mm) | 103mm |
| S | Swivel Race Diameter (mm) | 70mm |