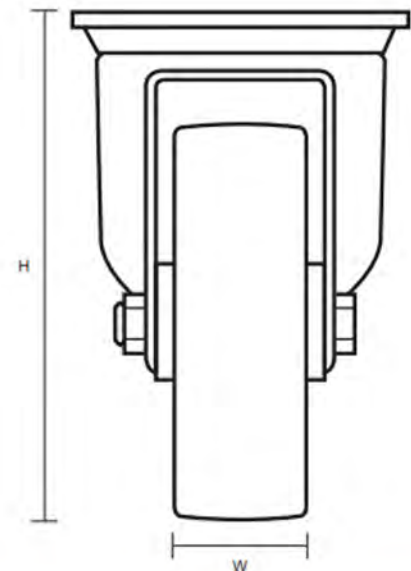
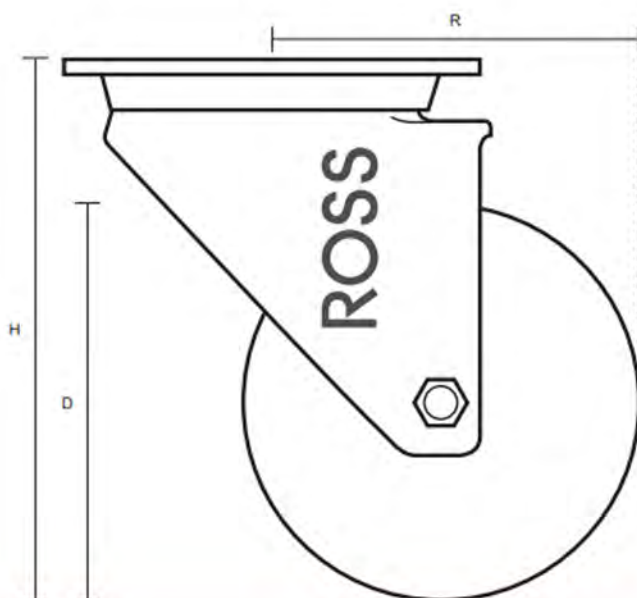
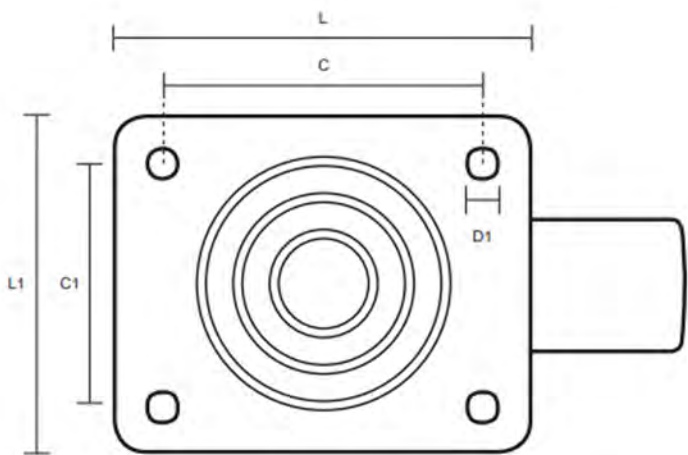


Stainless Steel Castor 100mm Swivel High Temperature Rubber Wheel SS-100-HT

This 100mm medium duty stainless steel swivel top plate swivel castors with a temperature resistant rubber wheel suitable for medium/ heavy duty applications, medical equipment and catering equipment. The stainless steel castors are non corrosive and resistant and the temperature resistant rubber wheels are resistant to temperatures from -30C to +260C maximum.


Dimensions



Castor Dimensions - Key

D	Wheel Diameter	100mm
L	Plate Dimension Length (mm)	105mm
L1	Plate Dimension Width (mm)	85mm
C	Plate Hole Centres length (mm)	80mm
C1	Plate Hole Centres width (mm)	60mm
D1	Plate Hole Diameter (mm)	8mm
H	Total Castor Height (mm)	128mm
W	Tread Width (mm)	34mm
R	Swivel Radius (mm)	85mm

Technical Specifications

 Castor Type	Top Plate Castors
 Bearing Type	Ball Journal
 Load Capacity (kg)	100
 Product Type	Top Plate Castors
 Technical PDF	SS-100-HT.pdf
 Tread Width (mm)	34
 Temperature Range	-40 min to + 280 max
 Hardness of Tread	D85
 Max Load Capacity of 4 Castors	300
 Plate Length (mm)	105
 Plate Width (mm)	85
 Plate Hole Centres Length (mm)	80
 Plate Hole Centres Width (mm)	60
 Plate Hole Diameter	8
 Swivel Radius	85
 Total Castor Height	128
 Wheel Colour	Blue
 Wheel Material	High Temp Rubber
 Wheel Centre	Aluminum
 Wheel Diameter(mm)	100