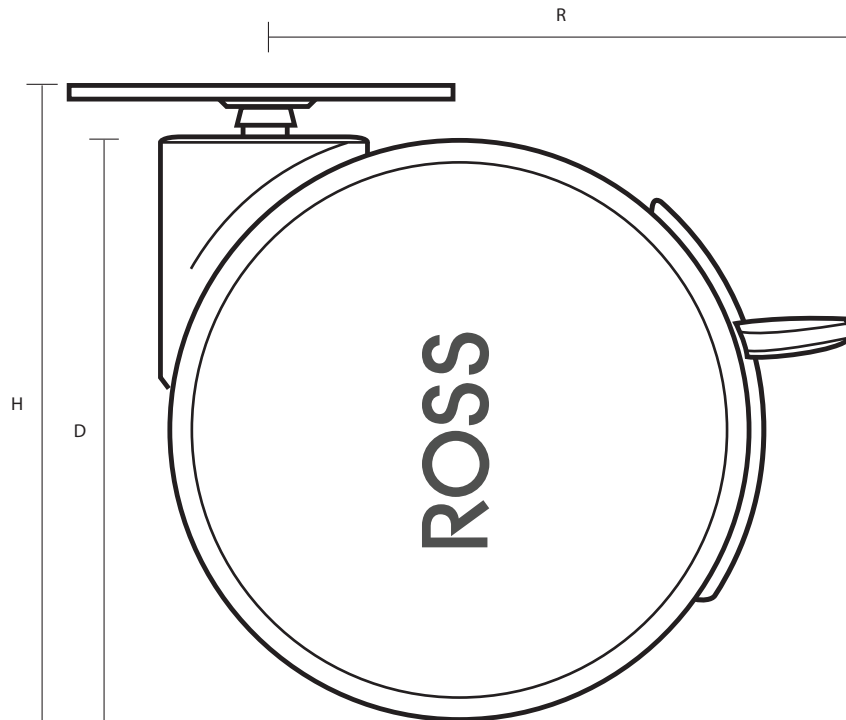
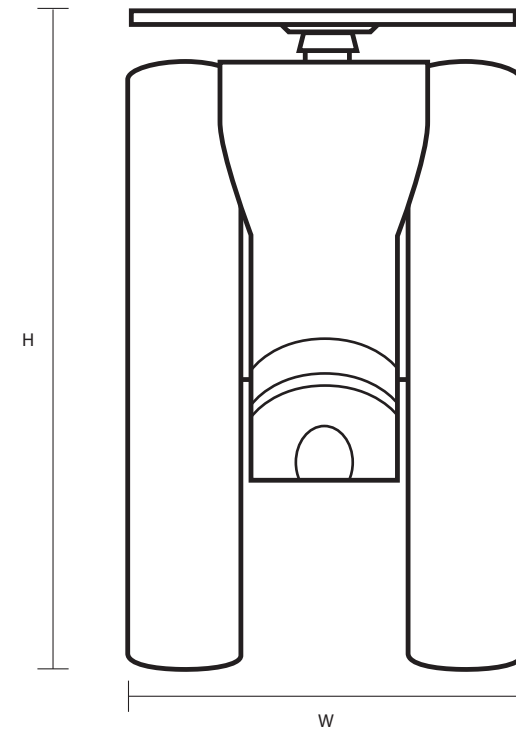
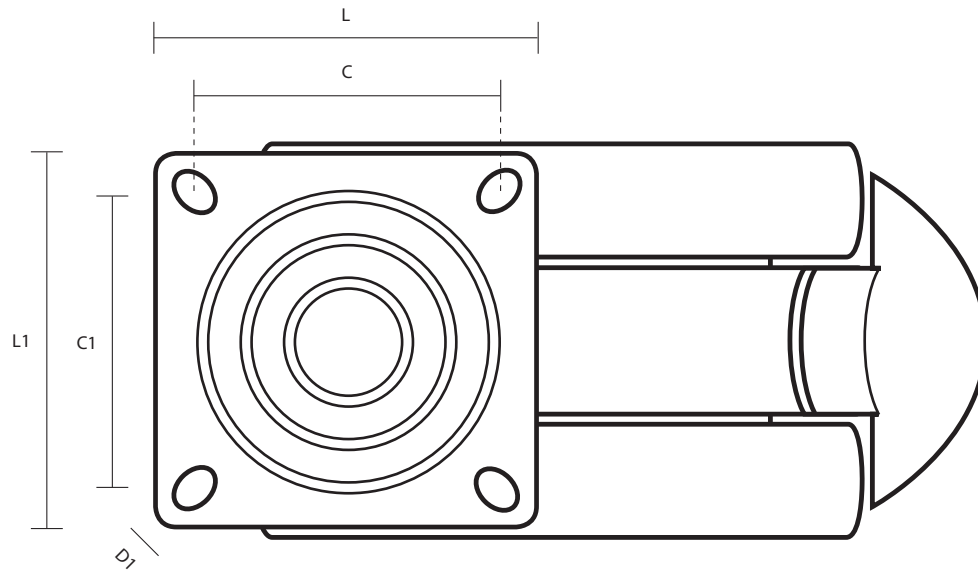


LS1004/B (100mm Twin Wheel Swivel Braked Castor Top Plate Fitting)



Castor Dimensions - Key

D	Wheel Diameter	100mm
L	Plate Dimension Length (mm)	65mm
L1	Plate Dimension Width (mm)	65mm
C	Plate Hole Centers length (mm)	47mm
C1	Plate Hole Centers width (mm)	47mm
D1	Plate Hole Diameter (mm)	5mm
H	Total Castor Height	124mm
W	Tread Width (mm)	N/A
R	Swivel Radius (mm)	N/A