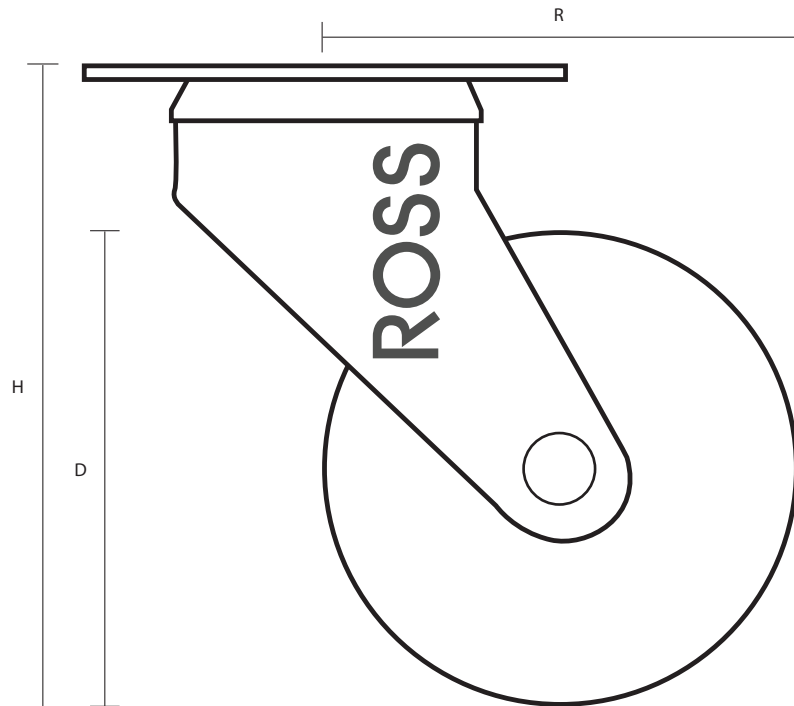
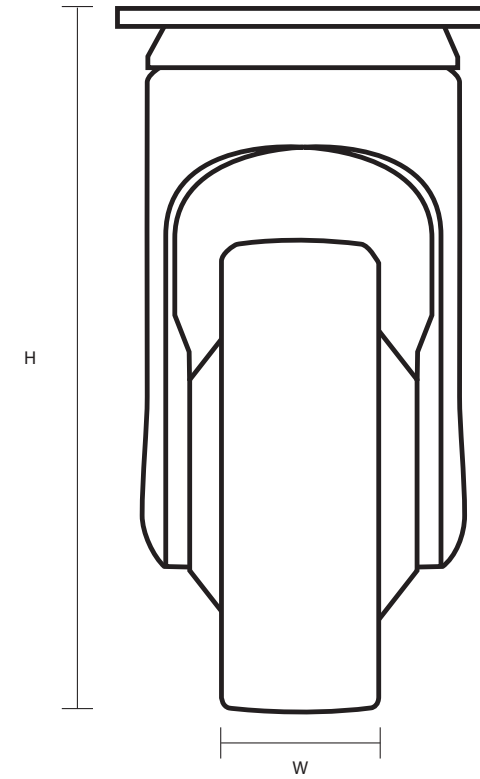
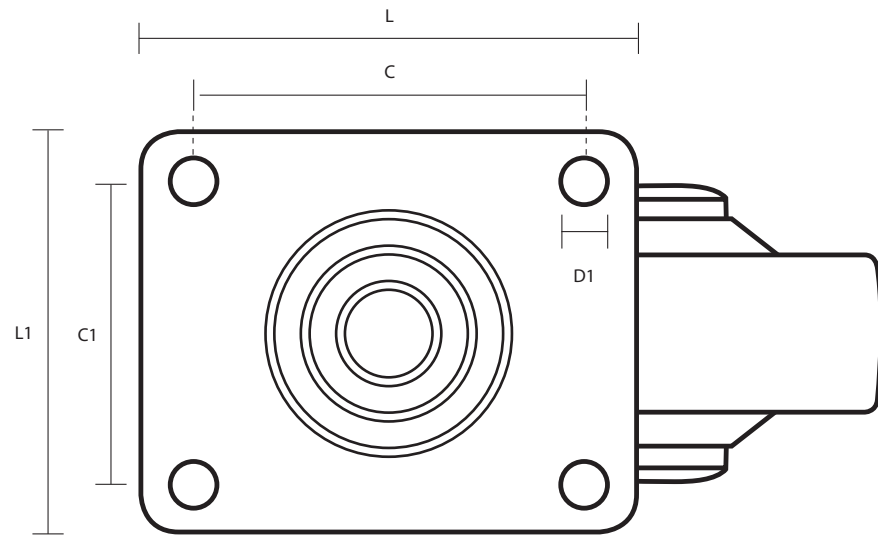


# GS1504 (150mm Swivel Synthetic Castor Grey Rubber Wheel)



Castor Dimensions - Key		
D	Wheel Diameter	150mm
L	Plate Dimension Length (mm)	95mm
L1	Plate Dimension Width (mm)	70mm
C	Plate Hole Centres length (mm)	76/70mm
C1	Plate Hole Centres width (mm)	50/44.5mm
D1	Plate Hole Diameter (mm)	8mm
H	Total Castor Height (mm)	192mm
W	Tread Width (mm)	30mm
R	Swivel Radius (mm)	115mm