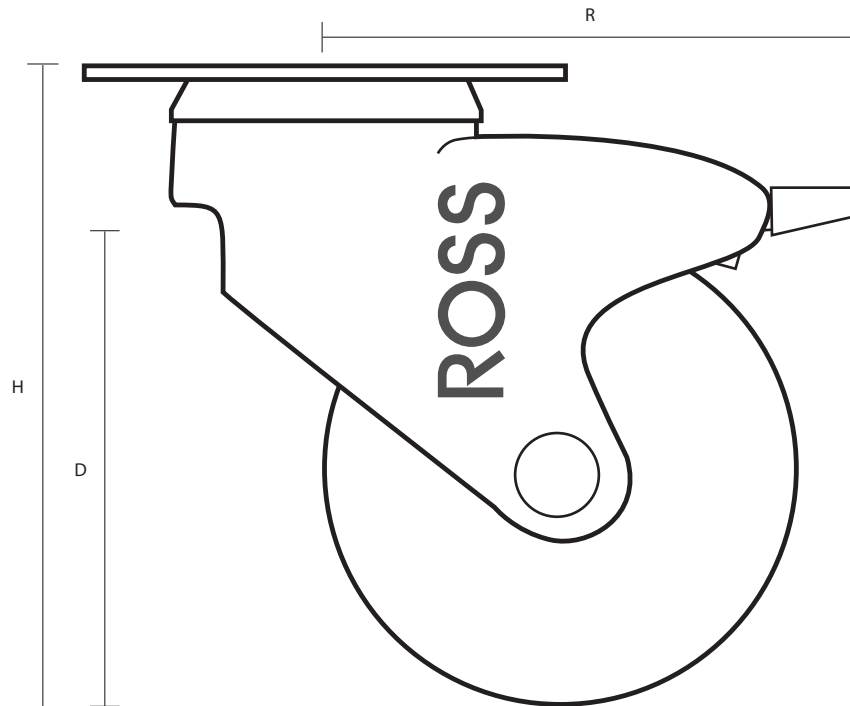
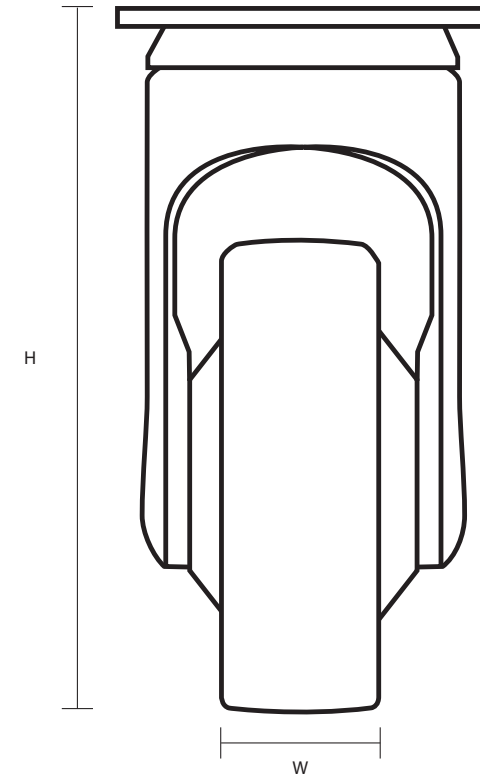
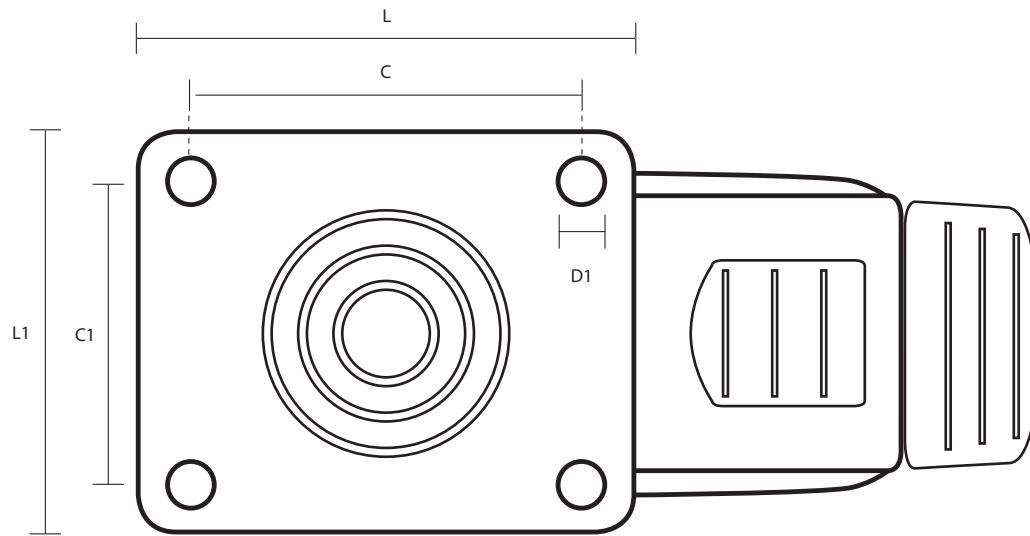


GS1504/BR (150mm Swivel Braked Synthetic Castor Grey Rubber Wheel)



Castor Dimensions - Key

D	Wheel Diameter	150mm
L	Plate Dimension Length (mm)	95mm
L1	Plate Dimension Width (mm)	70mm
C	Plate Hole Centers length (mm)	76/70mm
C1	Plate Hole Centers width (mm)	50/44.5mm
D1	Plate Hole Diameter (mm)	8mm
H	Total Castor Height	192mm
W	Tread Width (mm)	30mm
R	Swivel Radius (mm)	110mm