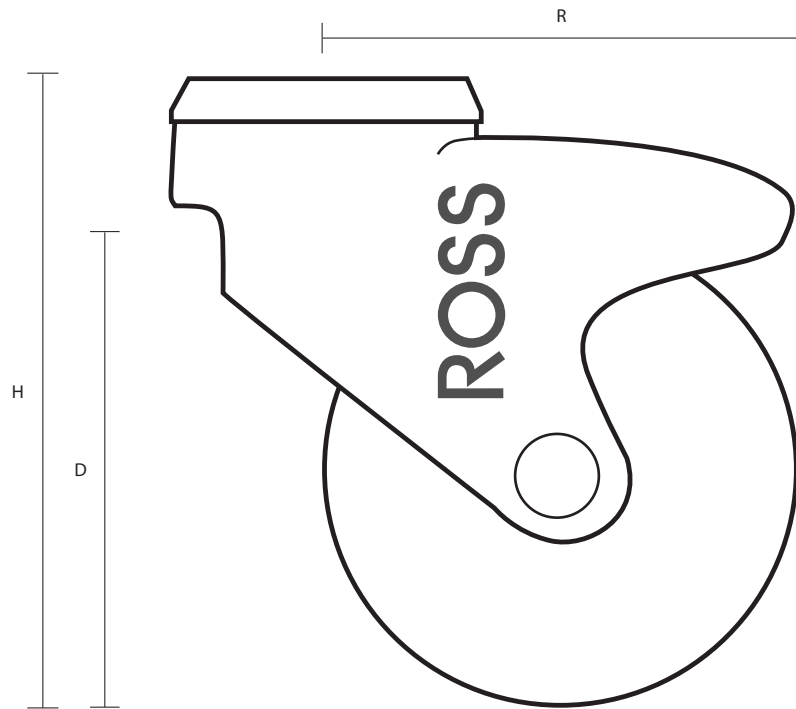
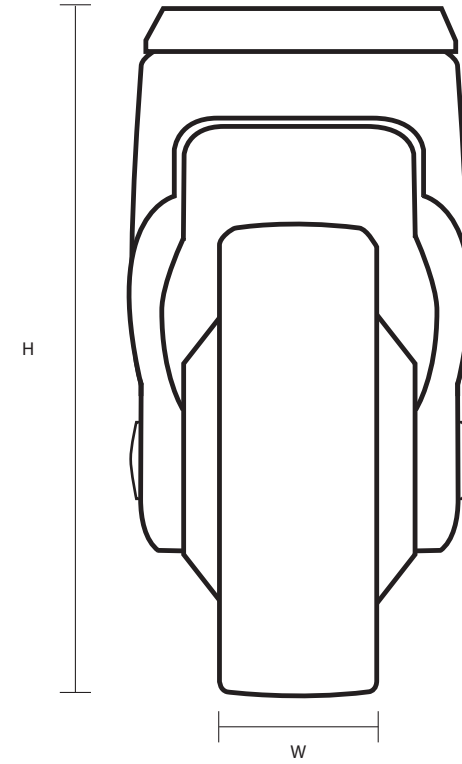
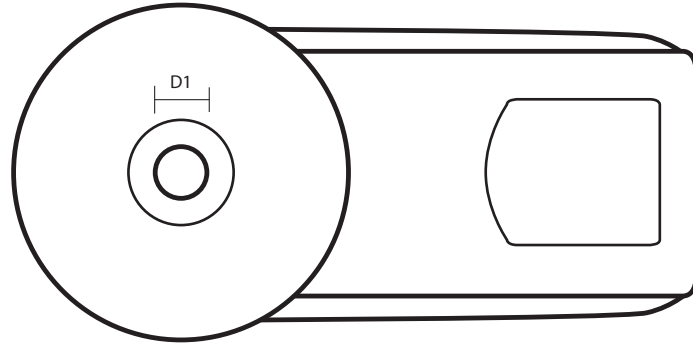


GS150-12 (150mm Swivel Synthetic Castor Grey Rubber Wheel)



Castor Dimensions - Key		
D	Wheel Diameter	150mm
L	Plate Dimension Length (mm)	N/A
L1	Plate Dimension Width (mm)	N/A
C	Plate Hole Centers length (mm)	N/A
C1	Plate Hole Centers width (mm)	N/A
D1	Plate Hole Diameter (mm)	12mm
H	Total Castor Height	189mm
W	Tread Width (mm)	30mm
R	Swivel Radius (mm)	115mm